



# Comparing Measurements

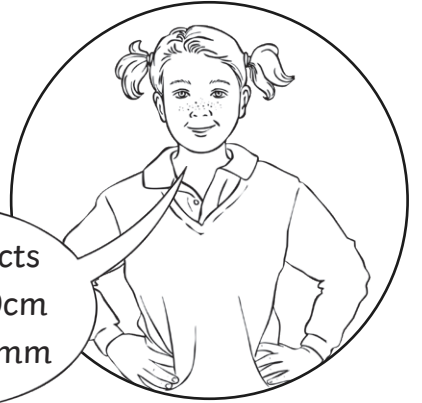
I can compare measurements in m, cm and mm.



1) Compare these measurements using  $<$ ,  $>$  or  $=$ .

12cm		15cm
9cm		4cm
1cm		10mm
35mm		4cm
8m		4m
6m		12m
3m		350cm
4m		400cm

Useful Facts  
 $1\text{m} = 100\text{cm}$   
 $1\text{cm} = 10\text{mm}$



2) Order these measurements from shortest to longest.

a) 10cm      25mm      3m

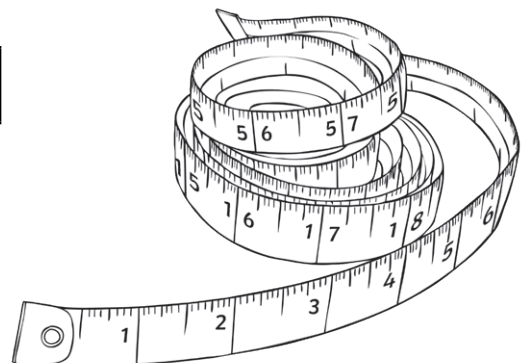
--	--	--

b) 45mm      1m      20cm

--	--	--

c) 3cm      5m      50mm

--	--	--





3) Here are some lines, along with their measurements.  
Some measurements are in cm, some are in mm.

Line A 11cm

Line B 95mm

Line C 14cm

Line D 85mm

Order the lines from longest to shortest:

longest		shortest	
line	line	line	line

4) Here are the heights of Leo's family:

Leo: 1m 64cm	Lucy (sister): 86cm	Dad: 1m 96cm	Mum: 1m 53cm
--------------	---------------------	--------------	--------------

Order the family from shortest to tallest:

shortest		tallest	



# Comparing Measurements Answers

I can compare measurements in m, cm and mm.



1) Compare these measurements using  $<$ ,  $>$  or  $=$ .

12cm	$<$	15cm
9cm	$>$	4cm
1cm	$=$	10mm
35mm	$<$	4cm
8m	$>$	4m
6m	$<$	12m
3m	$<$	350cm
4m	$=$	400cm

2) Order these measurements from shortest to longest.

a) 10cm      25mm      3m

<b>25mm</b>	<b>10cm</b>	<b>3m</b>
-------------	-------------	-----------

b) 45mm      1m      20cm

<b>45mm</b>	<b>20cm</b>	<b>1m</b>
-------------	-------------	-----------

c) 3cm      5m      50mm

<b>3cm</b>	<b>50mm</b>	<b>5m</b>
------------	-------------	-----------



- 3) Here are some lines, along with their measurements.  
Some measurements are in cm, some are in mm.

Order the lines from longest to shortest:

longest		shortest	
line C	line A	line B	line D

- 4) Here are the heights of Leo's family:

Order the family from shortest to tallest:

shortest		tallest	
Lucy	Mum	Leo	Dad



# Comparing Measurements

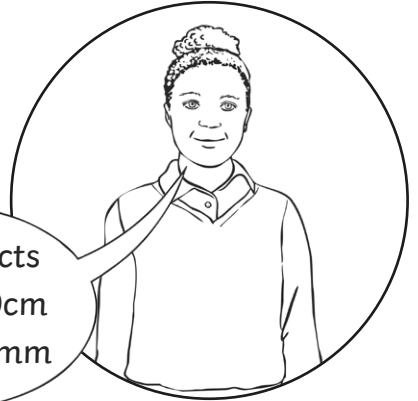
I can compare measurements in m, cm and mm.



1) Compare these measurements using  $<$ ,  $>$  or  $=$ .

50mm		5cm
29mm		3cm
2cm 4mm		5cm
3cm 5mm		34mm
178cm		2m
436cm		3m
1m 24cm		2m
2m 65cm		265cm

Useful Facts  
 $1\text{m} = 100\text{cm}$   
 $1\text{cm} = 10\text{mm}$



2) Order these measurements from shortest to longest.

a) 15cm      37mm      2m      1m 26cm

--	--	--	--

b) 62mm      1m 56cm      6cm      3m

--	--	--	--

c) 12cm      2m      99mm      197cm

--	--	--	--

d) 3cm      200cm      2m 50cm      38mm

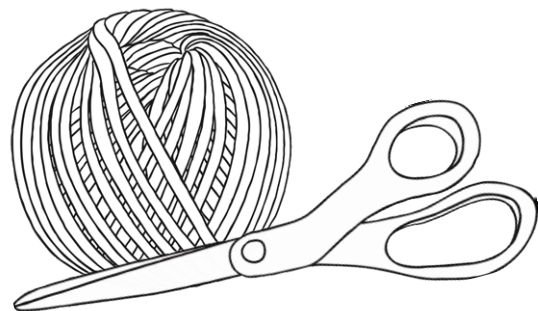
--	--	--	--



3) Craig cuts 6 pieces of string. Some of the pieces he measures in cm, some he measures in mm, and some in mixed units (cm and mm).

Order the strings from longest to shortest:

piece A	100mm
piece B	12cm
piece C	45mm
piece D	10cm 2mm
piece E	6cm
piece F	4cm 3mm



longest			shortest		
piece	piece	piece	piece	piece	piece

4) Here are a group of friends' heights. Some heights are in cm, some are in m and cm. Order the friends' heights from shortest to tallest:

Pavdeep	122cm
Scarlett	1m 45cm
Mohammed	1m 67cm
Tina	138cm
Joshua	1m 24cm
Stacey	153cm
Nikita	1m 52cm

shortest			tallest			



# Comparing Measurements Answers

I can compare measurements in m, cm and mm.



1) Compare these measurements using  $<$ ,  $>$  or  $=$ .

50mm	=	5cm
29mm	<	3cm
2cm 4mm	<	5cm
3cm 5mm	>	34mm
178cm	<	2m
436cm	>	3m
1m 24cm	<	2m
2m 65cm	=	265cm

2) Order these measurements from shortest to longest.

a) 15cm      37mm      2m      1m 26cm

<b>37mm</b>	<b>15cm</b>	<b>1m 26cm</b>	<b>2m</b>
-------------	-------------	----------------	-----------

b) 62mm      1m 56cm      6cm      3m

<b>6cm</b>	<b>62mm</b>	<b>1m 56cm</b>	<b>3m</b>
------------	-------------	----------------	-----------

c) 12cm      2m      99mm      197cm

<b>99mm</b>	<b>12cm</b>	<b>197cm</b>	<b>2m</b>
-------------	-------------	--------------	-----------

d) 3cm      200cm      2m 50cm      38mm

<b>3cm</b>	<b>38mm</b>	<b>200cm</b>	<b>2m 50cm</b>
------------	-------------	--------------	----------------



- 3) Craig cuts 6 pieces of string. Some of the pieces he measures in cm, some he measures in mm, and some in mixed units (cm and mm).  
Order the strings from longest to shortest:

longest			shortest		
piece <b>B</b>	piece <b>D</b>	piece <b>A</b>	piece <b>E</b>	piece <b>C</b>	piece <b>F</b>

- 4) Here are a group of friends' heights. Some heights are in cm, some are in m and cm.  
Order the friends' heights from shortest to tallest:

Pavdeep	122cm
Scarlett	1m 45cm
Mohammed	1m 67cm
Tina	138cm
Joshua	1m 24cm
Stacey	153cm
Nikita	1m 52cm

shortest			tallest			
<b>Pavdeep</b>	<b>Joshua</b>	<b>Tina</b>	<b>Scarlett</b>	<b>Nikita</b>	<b>Stacey</b>	<b>Mohammed</b>





# Comparing Measurements

I can compare measurements in m, cm and mm.



1) Compare these measurements using  $<$ ,  $>$  or  $=$ .

30mm		3cm		3m
35mm		40cm		2m
1cm 4mm		5cm		1m 24cm
3cm 52mm		300mm		300cm
178cm		20mm		1m 45cm
639cm		7m		700cm
5m 29cm		3m		500mm
3m 85cm		295cm		12cm 5mm

2) Order these measurements from shortest to longest.

a) 18cm      47mm      1m      1m 54cm      12cm 6mm

--	--	--	--	--

b) 94mm      2m 47cm      16cm      13cm 6mm      2m

--	--	--	--	--

c) 13m      15cm      79mm      107cm      10cm 3mm

--	--	--	--	--

d) 13cm 7mm      400cm      3m 56cm      178mm      25cm

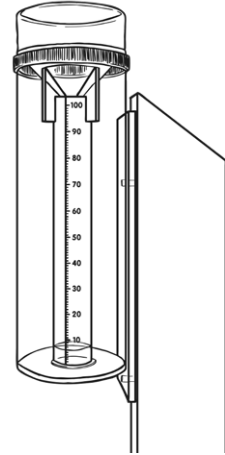
--	--	--	--	--



3) Here are the average monthly rainfall amounts for different cities around the world during the month of June.

Order the cities from the greatest rainfall to the least:

London	4cm 3mm
Rome	6mm
Mumbai	562mm
Adelaide	6cm 1mm
Bangkok	180mm
Singapore	16cm 3mm



greatest			least		

4) Here are the results from the Sports Day beanbag throw event.

Order the children from the least to the greatest distance thrown:

Grace	8m 56cm
Stuart	765cm
Rakesh	10m 30cm
Saima	987cm
Tom	1124cm
Chase	8m 68cm
Leon	7m 29cm

least			greatest		



# Comparing Measurements Answers

I can compare measurements in m, cm and mm.



1) Compare these measurements using  $<$ ,  $>$  or  $=$ .

30mm	=	3cm	<	3m
35mm	<	40cm	<	2m
1cm 4mm	<	5cm	<	1m 24cm
3cm 52mm	<	300mm	<	300cm
178cm	>	20mm	<	1m 45cm
639cm	<	7m	=	700cm
5m 29cm	>	3m	>	500mm
3m 85cm	>	295cm	>	12cm 5mm

2) Order these measurements from shortest to longest.

a) 18cm      47mm      1m      1m 54cm      12cm 6mm

<b>47mm</b>	<b>12cm 6mm</b>	<b>18cm</b>	<b>1m</b>	<b>1m 54cm</b>
-------------	-----------------	-------------	-----------	----------------

b) 94mm      2m 47cm      16cm      13cm 6mm      2m

<b>94mm</b>	<b>13cm 6mm</b>	<b>16cm</b>	<b>2m</b>	<b>2m 47cm</b>
-------------	-----------------	-------------	-----------	----------------

c) 13m      15cm      79mm      107cm      10cm 3mm

<b>79mm</b>	<b>10cm 3mm</b>	<b>10cm 7mm</b>	<b>15cm</b>	<b>13m</b>
-------------	-----------------	-----------------	-------------	------------

d) 13cm 7mm      400cm      3m 56cm      178mm      25cm

<b>13cm 7mm</b>	<b>178mm</b>	<b>25cm</b>	<b>3m 56cm</b>	<b>400cm</b>
-----------------	--------------	-------------	----------------	--------------



- 3) Here are the average monthly rainfall amounts for different cities around the world during the month of June.  
Order the cities from the greatest rainfall to the least:

highest			least		
<b>Mumbai</b>	<b>Bangkok</b>	<b>Singapore</b>	<b>Adelaide</b>	<b>London</b>	<b>Rome</b>

- 4) Here are the results from the Sports Day beanbag throw event.  
Order the children from the least to the greatest distance thrown:

least			greatest			
<b>Leon</b>	<b>Stuart</b>	<b>Grace</b>	<b>Chase</b>	<b>Saima</b>	<b>Rakesh</b>	<b>Tom</b>